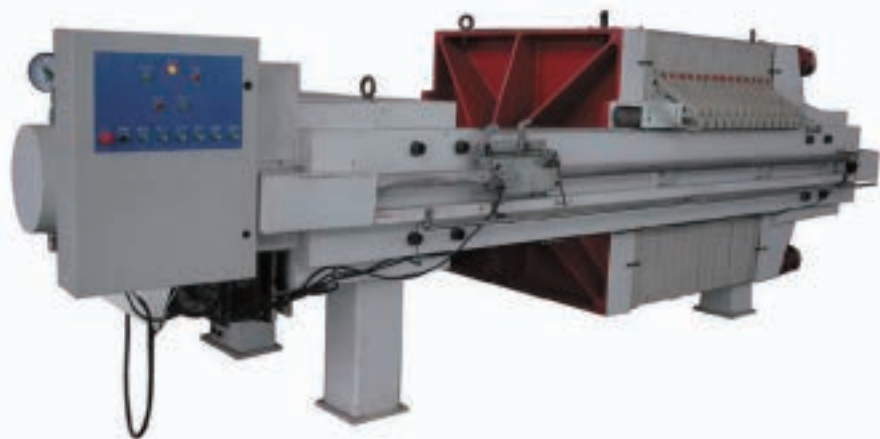


GSD INDUSTRIAL CO., LTD.

XP

厢式压滤机



川源股份有限公司

用途

厢式压滤机适用于化工、冶金、制药、轻工、煤炭、食品、纺织、环保、能源等行业的固液分离过程。

特点

1. 滤板材质为 TPE 弹性体无碱玻纤聚丙烯，使滤板既有橡胶滤板的弹性，又具有增强聚丙烯滤板的韧性、刚性，使滤板压紧时密封性能好，进料时无漏液现象，滤板强度高，重量轻，耐腐蚀，无毒无味。
2. 主梁材质选用 Q345 桥梁钢，采用二氧化碳保护焊焊接成形。具有耐腐蚀、抗拉强度大、抗冲击性好等优点，彻底解决了压滤机主梁长期使用后产生变形的问题。
3. 液压系统采用开式结构，集成块式设计整套液压系统。
 - ※ 液压油缸采用27SiMn无缝钢管，经粗镗、精镗、滚压而成，全部精度达到IT8级。
 - ※ 活塞杆材质为45号钢经磨削加工，并进行调质处理后外镀0.06硬铬，具有硬度高、耐磨性能好，使用寿命长等优点。
 - ※ 密封圈采用国际先进的技术及优良材质加工而成，可正常运行五年不更换，保证了油缸的密封性和使用灵活性。
4. 滤板最高进料压力为1.5MPa，耐高温高压、密封防腐好、过滤周期短、冲洗效果好、滤饼含湿率低。
5. 操作简单，维修方便，可选配自动拉板系统，并有安全装置(如光幕)供客户选择，确保操作人员安全。
6. 根据客户对滤液及泥饼的处理需求，可选配自动接液翻板、移动集水盘、泥斗等，如客户工艺需获得较干滤饼时，可选择隔膜压榨的压滤机。
7. 可免费为用户作物料过滤试验以准确选用合适的滤布，并配套提供各种类型滤布。
8. 根据物料过滤的要求，可增设滤饼洗涤功能。

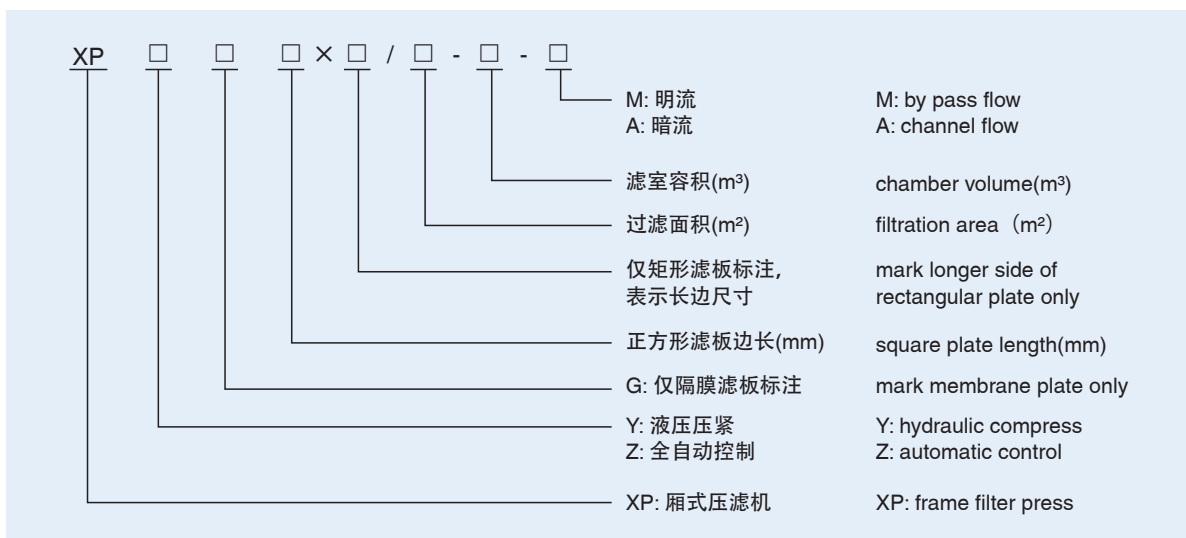
APPLICATIONS

Frame filter press apply to the liquid-soild separation in following industries: chemical, petrochemical, pharmaceutical, food, metallurgical, textile, environmental protection, energy etc.

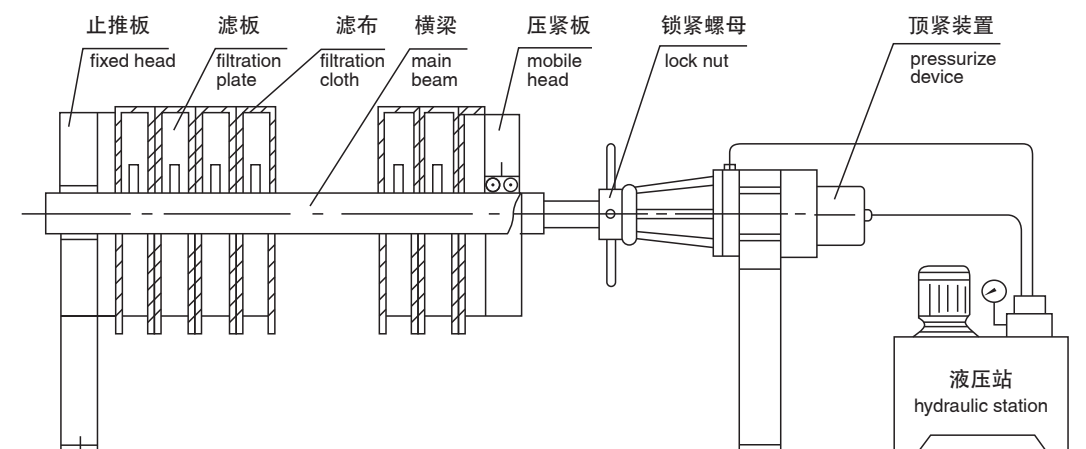
FEATURES

1. Material of our plate consists of TPE elastomer, fiber glass, and polypropylene. So our plates have the advantage of flexibility, toughness, rigidity which make sure excellent sealing among plates, so the leaking will not happen during feeding. Filtration plate featuring high intensity, light weight, anti-corrosion, poisonless and smellless.
2. The main beams are made of Q345 bridge steel and formed by carbon dioxide protection welding with feature of anti-corrosion anti-impacting, anti-extension. It solved the problem of main beam deformation thoroughly.
3. Our hydraulic system is open type with integration piece.
 - ※ Hydraulic cylinder are made of 27SiMn seamless steel pipe. Their precision can up to level of IT8 after process of rough inner machining, refined machining and pressurized rolling.
 - ※ Pistons are made of steel 45 and plated with 0.06 chromium after surface processing with feature of high hardness, anti-wearing, long life-span.
 - ※ The sealing ring is made from the most advanced technics and superior material in the world which can guaranty the sealing performance and agility at least for five years without replacing.
4. It's maximum feeding pressure is 1.5MPa. It can work with high temperature and high pressure with advantage of excellent sealing, anti-corrosion, short filtration period, excellent washing effect, low moisture in cake.
5. Easy operation, convenient repair, auto plate shifting device is matching, safe-guard facility is equipped (Photoemission curtain) to protect operators from damage for customers choice.
6. We can design all kinds of collections no matter fixed trips, shifted trips and hopper according to customer request for filtrate and cake; Membrane filter press can be used if the highly dry cake was needed.
7. We can offer cloth for customers with all specifications and do the filtration testing for customers free of charge in order that we can select the most suitable filtration cloth for customers.
8. According to the demand of material filtration, it can add the wash filtrate cake function.

型号说明 TYPE DESCRIPTION



结构简图 CONSTRUCTION DIAGRAM



液压式压滤机系列 HYDRAULIC FILTER PRESS SERIES

- | | |
|------------------|-----------------------|
| 1. XPY630/□-□-□ | 5. XPY1250/□-□-□ |
| 2. XPY800/□-□-□ | 6. XPY1500/□-□-□ |
| 3. XPY900/□-□-□ | 7. XPY1600/□-□-□ |
| 4. XPY1000/□-□-□ | 8. XPY1500×2000/□-□-□ |

技术特点 TECHNIQUE FEATURES

- | | |
|--|--|
| <ol style="list-style-type: none"> 1. 增强聚丙烯滤板、滤框采用模压而成，强度高，重量轻，耐腐蚀，无毒无味； 2. 采用液压压紧，最大压紧压力25MPa，并用电接点压力表自动保压； 3. 最大过滤压力为1.6MPa，确保形成滤饼的最佳条件，进行加压过滤。 | <ol style="list-style-type: none"> 1. Die pressess the reinforced polypropylene into filtration plate & frame featuring high intensity, light weight, anti-corrosion, poisonless and smellless. 2. The hydraulic device is used for pressing and releasing the chamber plates, the electrical contact pressure gauge is available to automatically maintain pressure and the maximum pressure is 25MPa. 3. Maximum filtering pressure is 1.6MPa for box type filter, It is the best condition for cake forming. |
|--|--|

处理流程简介 HANDLE PROCEDURES

液压油缸前进→压紧滤板→进料→加压过滤→液压油缸后退→逐一打开滤板→落料→料斗等装置承接泥饼
 oil hydraulic forward→module closing→feeding→pressurize→oil hydraulic backward→opening module one by one
 →cake falling→cake collection device

性能参数 PERFORMANCE PARAMETER

型号 Type	过滤面积 Filter area (m ²)	滤室数量 Chamber amounts	滤板规格 Plate size (mm)	滤饼厚度 Cake thickness (mm)	滤室容积 Chamber volume (m ³)	过滤压力 Filtration pressure (MPa)	地脚中心L1 Anchor hole pitch L1 (mm)	外形尺寸 (长×宽×高) Overall dimension (L×W×H) (mm)	电机功率 Motor power (kW)	整机质量 Total weight (kg)
XPY630	15	20	720 × 720 ×55	30	0.226	0.5-1.0	2170	3030×960×1060	2.2	2400
	20	26			0.297		2500	3360×960×1060		2520
	30	39			0.452		3230	4090×960×1060		2760
	40	51			0.595		3900	4760×960×1060		3000
XPY800	20	20	800 × 800 ×60	30	0.287	0.5-1.6	2400	3500×1230×1160	2.2	2700
	30	30			0.453		3010	4110×1230×1160		3060
	40	40			0.605		3620	4720×1230×1160		3350
	50	50			0.756		4230	5330×1230×1160		3660
	60	60			0.907		4840	5940×1230×1160		4040
	70	70			1.059		5450	6550×1230×1160		4330
	80	80			1.210		6060	7160×1230×1160		4670



性能参数 PERFORMANCE PARAMETER

型号 Type	过滤面积 Filter area (m ²)	滤室数量 Chamber amounts	滤板规格 Plate size (mm)	滤饼厚度 Cake thickness (mm)	滤室容积 Chamber volume (m ³)	过滤压力 Filtration pressure (MPa)	地脚中心L1 Anchor hole pitch L1 (mm)	外形尺寸 (长×宽×高) Overall dimension (L×W×H) (mm)	电机功率 Motor power (kW)	整机质量 Total weight (kg)
XPY900	40	32	900	30	0.60	0.5-1.6	3130	4230×1360×1280	2.2	3650
	50	40	×		0.75		3620	4720×1360×1280		3970
	60	47	900		0.88		4050	5150×1360×1280		4290
	80	63	×60		1.19		5020	6120×1360×1280		4910
XPY900	40	32	900	32	0.63	0.5-1.6	3300	4400×1360×1280	2.2	3690
	50	40	×		0.80		3830	4930×1360×1280		4040
	60	47	900		0.94		4290	5390×1360×1280		4330
	80	63	×65		1.27		5340	6440×1360×1280		4980
XPY1000	50	32	1000	30	0.75	0.5-1.6	3200	5080×1460×1360	2.2	4800
	60	38	×		0.90		3570	5450×1460×1360		5080
	80	50	1000		1.19		4300	6180×1460×1360		5640
	100	62	×60		1.48		5030	6910×1460×1360		6200
	120	75			1.80		5830	7710×1460×1360		6760
XPY1000	50	32	1000	35	0.897	0.5-1.6	3370	5250×1460×1360	2.2	4850
	60	38	×		1.09		3760	5640×1460×1360		5120
	80	50	1000		1.40		4560	6440×1460×1360		5690
	100	62	×65		1.74		5350	7230×1460×1360		6250
	120	75			2.10		6210	8090×1460×1360		6810
XPY1250	120	46	1250	30	1.79	0.5-1.6	4500	6500×1770×1620	4	11000
	150	58	×		2.26		5290	7290×1770×1620		12200
	180	69	1250		2.70		6020	8020×1770×1620		13400
	200	77	×65		3.02		6550	8550×1770×1620		14200
	250	95			3.73		7740	9740×1770×1620		16200
XPY1250	120	46	1250	32	1.90	0.5-1.6	4500	6500×1770×1620	4	9400
	150	58	×		2.41		5290	7290×1770×1620		10210
	180	69	1250		2.88		6020	8020×1770×1620		11020
	200	77	×65		3.22		6550	8550×1770×1620		11560
	250	95			3.98		7740	9740×1770×1620		12910
XPY1250	120	46	1250	35	2.08	0.5-1.6	4740	6740×1770×1620	4	9600
	150	58	×		2.64		5590	7590×1770×1620		10440
	180	69	1250		3.06		6370	8370×1770×1620		11280
	200	77	×70		3.52		6940	8940×1770×1620		11840
	250	95			4.35		8220	10220×1770×1620		13240
XPY1250	120	46	1250	40	2.38	0.5-1.6	4740	6740×1770×1620	4	9500
	150	58	×		3.02		5590	7590×1770×1620		10340
	180	69	1250		3.60		6370	8370×1770×1620		11150
	200	77	×70		4.02		6940	8940×1770×1620		11680
	250	95			4.97		8220	10220×1770×1620		13070
XPY1500	300	77	1500	32	4.76	0.5-1.6	7240	10040×2150×1880	5.5	26200
	320	83	×		5.14		7660	10460×2150×1880		26860
	340	88	1500		5.45		8020	10820×2150×1880		27520
	350	90	×70		5.58		8160	10960×2150×1880		27850
	380	98			6.08		8730	11530×2150×1880		28840
	400	103			6.39		9080	11880×2150×1880		29500
	450	116			7.21		10010	12810×2150×1880		31150
	500	128			7.96		10860	13660×2150×1880		32800
XPY1500	300	77	1500	35	5.22	0.5-1.6	7630	10430×2150×1880	5.5	26600
	320	83	×		5.62		8080	10880×2150×1880		27300
	340	88	1500		5.97		8460	11260×2150×1880		27980
	350	90	×75		6.11		8620	11420×2150×1880		28320
	380	98			6.65		9220	12020×2150×1880		29360
	400	103			7.00		9600	12400×2150×1880		30040
	450	116			7.89		10590	13390×2150×1880		31750
	500	128			8.72		11500	14300×2150×1880		33470
XPY1500	300	77	1500	40	5.96	0.5-1.6	8020	10820×2150×1880	5.5	26850
	320	83	×		6.42		8500	11300×2150×1880		27520
	340	88	1500		6.82		8910	11710×2150×1880		28200
	350	90	×80		6.98		9070	11870×2150×1880		28220
	380	98			7.60		9720	12520×2150×1880		29610
	400	103			8.00		10120	12920×2150×1880		30280
	450	116			9.02		11180	13980×2150×1880		32030
	500	128			9.96		12150	14950×2150×1880		33750



性能参数 PERFORMANCE PARAMETER

型号 Type	过滤面积 Filter area (m ²)	滤室数量 Chamber amounts	滤板规格 Plate size (mm)	滤饼厚度 Cake thickness (mm)	滤室容积 Chamber volume (m ³)	过滤压力 Filtration pressure (MPa)	地脚中心L1 Anchor hole pitch L1 (mm)	外形尺寸 (长×宽×高) Overall dimension (L×W×H) (mm)	电机功率 Motor power (kW)	整机质量 Total weight (kg)
XPY1600	300	69	1600 × 1600 ×72	32	4.76	0.5-1.6	6860	9660×2250×1980	5.5	24900
	350	81			5.60		7740	10540×2250×1980		26550
	400	92			6.38		8540	11340×2250×1980		28200
	420	97			6.73		8900	11700×2250×1980		28820
	450	104			7.24		9420	12220×2250×1980		30520
	500	115			7.99		10220	13020×2250×1980		32070
	550	126			8.76		11020	13820×2250×1980		33670
	600	138			9.60		11900	14700×2250×1980		35320
XPY1600	300	69	1600 × 1600 ×75	35	5.21	0.5-1.6	7070	9870×2250×1980	5.5	25400
	350	81			6.13		7980	10780×2250×1980		27050
	400	92			6.98		8820	11620×2250×1980		28250
	420	97			7.36		9200	12000×2250×1980		29420
	450	104			7.92		9730	12530×2250×1980		31270
	500	115			8.74		10570	13370×2250×1980		32970
	550	126			9.58		11400	14200×2250×1980		34620
	600	138			10.50		12310	15110×2250×1980		36270
XPY 1500×2000	400	78	1500 × 2000 ×75	35	6.99	0.5-1.6	7900	10700×2150×2400	11	30500
	450	88			7.80		8660	11460×2150×2400		31950
	500	97			8.71		9350	12150×2150×2400		34500
	550	107			9.63		10110	12910×2150×2400		36310
	600	117			10.53		10870	13670×2150×2400		36800
	700	136			12.25		12310	15110×2150×2400		40000
	750	146			13.13		13070	15870×2150×2400		41500
	800	155			13.98		13760	16560×2150×2400		42900
XPY 1500×2000	400	78	1500 × 2000 ×80	40	7.99	0.5-1.6	8300	11100×2150×2400	11	31500
	450	88			8.92		9110	11910×2150×2400		33150
	500	97			9.96		9840	12640×2150×2400		34800
	550	107			11.00		10650	13450×2150×2400		36450
	600	117			12.03		11460	14260×2150×2400		38300
	700	136			14.00		13000	15800×2150×2400		41700
	750	146			15.00		13810	16610×2150×2400		43350
	800	155			15.98		14540	17340×2150×2400		45000

自动控制压滤机系列 AUTOMATIC CONTROL FILTER PRESS SERIES

1. XPZ800/□-□-□
2. XPZ900/□-□-□
3. XPZ1000/□-□-□
4. XPZ1250/□-□-□
5. XPZ1500/□-□-□
6. XPZ1600/□-□-□
7. XPZ2000/□-□-□

技术特点 TECHNIQUE FEATURES

1. 滤板采用增强聚丙烯模压而成，强度高，重量轻，耐腐蚀，无毒，无味；
 2. 自动拉板，采用电气系统控制或电脑全自动控制；
 3. 采用液压装置作为压紧、松开滤板的动力机构，最大压紧力为25MPa，并用电接点压力表自动保压；
 4. 采用最大压力为1.6MPa的过滤压力，确保形成滤饼的最佳条件，进行加压过滤；
 5. 操作简单、安全、省力，操作通过控制板上的按钮，实现连续动作，其中配有多种安全装置，确保操作人员安全。
1. Adopting the reinforced polypropylene to mold plate which features high intensity, light weight, anti-corrosion, poisonless and smellless.
 2. Automatically pulling plates. It is controlled by electric system or microcomputer system.
 3. The hydraulic device is used for pressing and releasing the chamber plates. The electrical contact pressure gauge is available to automatically maintain pressure and the maximum pressure is 25MPa.
 4. Maximum filtering pressure of 1.6MPa is the best condition for cake forming.
 5. Press the button on the electrical control board equipped with safe device to ensure safety to operators.

处理流程简介 HANDLE PROCEDURES

液压油缸前进→压紧滤板→进料→加压过滤→液压油缸后退→自动取拉板系统逐一打开滤板→落料→料斗等装置承接泥饼
oil hydraulic forward→module closing→feeding→pressurize→oil hydraulic backward→auto plate shifting device opening module one by one→cake falling→cake collection device



性能参数 PERFORMANCE PARAMETER

型号 Type	过滤面积 Filter area (m ²)	滤室数量 Chamber amounts	滤板规格 Plate size (mm)	滤饼厚度 Cake thickness (mm)	滤室容积 Chamber volume (m ³)	过滤压力 Filtration pressure (MPa)	地脚中心L1 Anchor hole pitch L1 (mm)	外形尺寸 (长×宽×高) Overall dimension (L×W×H) (mm)	电机功率 Motor power (kW)	整机质量 Total weight (kg)
XPZ800	20	20	800 × 800 ×60	30	0.287	0.5-1.6	2400	3500×1350×1160	2.2	2750
	30	30			0.453		3010	4110×1350×1160		3130
	40	40			0.605		3620	4720×1350×1160		3420
	50	50			0.756		4230	5330×1350×1160		3700
	60	60			0.907		4840	5940×1350×1160		4110
	70	70			1.059		5450	6550×1350×1160		4400
	80	80			1.210		6060	7160×1350×1160		4740
XPZ900	40	32	900 × 900 ×60	30	0.59	0.5-1.6	3130	4230×1480×1280	2.2	4500
	50	40			0.75		3620	4720×1480×1280		4800
	60	47			0.88		4050	5150×1480×1280		5100
	80	63			1.19		5020	6120×1480×1280		5700
XPZ900	40	32	900 × 900 ×65	32	0.63	0.5-1.6	3300	4400×1480×1280	2.2	4550
	50	40			0.80		3830	4930×1480×1280		4870
	60	47			0.94		4290	5390×1480×1280		5160
	80	63			1.27		5340	6440×1480×1280		5730
XPZ1000	60	38	1000 × 1000 ×60	30	0.90	0.5-1.6	3570	5450×1560×1360	2.2	7080
	80	50			1.19		4300	6180×1560×1360		7830
	100	62			1.48		5030	6910×1560×1360		8680
	120	75			1.80		5830	7710×1560×1360		9250
XPZ1000	60	38	1000 × 1000 ×65	35	1.09	0.5-1.6	3760	5640×1560×1360	2.2	7130
	80	50			1.40		4560	6440×1560×1360		7900
	100	62			1.74		5350	7230×1560×1360		8720
	120	75			2.10		6210	8090×1560×1360		9230
XPZ1250	120	46	1250 × 1250 ×65	32	1.90	0.5-1.6	4500	6500×1770×1620	4	10900
	150	58			2.41		5290	7290×1770×1620		11800
	180	69			2.88		6020	8020×1770×1620		12700
	200	77			3.22		6550	8550×1770×1620		13300
	220	84			3.51		7010	9010×1770×1620		13900
	250	95			3.98		7740	9740×1770×1620		14800
XPZ1250	120	46	1250 × 1250 ×70	35	2.08	0.5-1.6	4740	6740×1770×1620	4	11100
	150	58			2.64		5590	7590×1770×1620		12030
	180	69			3.15		6370	8370×1770×1620		13560
	200	77			3.52		6940	8940×1770×1620		14180
	250	95			4.35		8220	10220×1770×1620		15130
XPZ1500	300	77	1500 × 1500 ×70	32	4.76	0.5-1.6	7240	10040×2400×1800	5.5	26500
	320	83			5.14		7660	10460×2400×1800		27190
	340	88			5.45		8020	10820×2400×1800		27880
	350	90			5.58		8160	10960×2400×1800		28230
	380	98			6.08		8730	11530×2400×1800		29260
	400	103			6.39		9080	11880×2400×1800		29950
	450	116			7.21		10010	12810×2400×1800		31670
	500	128			7.96		10860	13660×2400×1800		33390
XPZ1500	300	77	1500 × 1500 ×75	35	5.22	0.5-1.6	7630	10430×2400×1800	5.5	27000
	320	83			5.62		8080	10880×2400×1800		27690
	340	88			5.97		8460	11260×2400×1800		28380
	350	90			6.11		8620	11420×2400×1800		28730
	380	98			6.65		9220	12020×2400×1800		29760
	400	103			7.00		9600	12400×2400×1800		30450
	450	116			7.89		10590	13390×2400×1800		32170
	500	128			8.72		11500	14300×2400×1800		33890



性能参数 PERFORMANCE PARAMETER

型号 Type	过滤面积 Filter area (m ²)	滤室数量 Chamber amounts	滤板规格 Plate size (mm)	滤饼厚度 Cake thickness (mm)	滤室容积 Chamber volume (m ³)	过滤压力 Filtration pressure (MPa)	地脚中心L1 Anchor hole pitch L1 (mm)	外形尺寸 (长×宽×高) Overall dimension (L×W×H) (mm)	电机功率 Motor power (kW)	整机质量 Total weight (kg)
XPZ1500	300	77	1500 × 1500 × 80	40	5.96	0.5-1.6	8020	10040×2400×1800	5.5	27500
	320	83			6.43		8500	10460×2400×1800		28200
	340	88			6.82		8910	10820×2400×1800		28910
	350	90			6.98		9070	10960×2400×1800		28950
	380	98			7.60		9720	11530×2400×1800		30380
	400	103			8.00		10120	11880×2400×1800		31080
	450	116			9.02		11180	12810×2400×1800		32900
	500	128			9.96		12150	13660×2400×1800		34690
XPZ1600	300	69	1600 × 1600 × 72	32	4.76	0.5-1.6	6860	9660×2500×1980	5.5	28400
	350	81			5.60		7740	10540×2500×1980		29950
	400	92			6.38		8540	11340×2500×1980		31550
	420	97			6.73		8900	11700×2500×1980		32120
	450	104			7.24		9420	12220×2500×1980		33050
	500	115			7.99		10220	13020×2500×1980		34650
	550	126			8.76		11020	13820×2500×1980		36100
	600	138			9.60		11900	14700×2500×1980		37800
XPZ1600	300	69	1600 × 1600 × 75	35	5.21	0.5-1.6	7070	9870×2250×1980	5.5	28960
	350	81			6.13		7980	10780×2250×1980		30500
	400	92			6.98		8820	11620×2250×1980		32150
	420	97			7.36		9200	12000×2250×1980		32720
	450	104			7.92		9730	12530×2250×1980		33750
	500	115			8.74		10570	13370×2250×1980		35400
	550	126			9.58		11400	14200×2250×1980		36900
	600	138			10.50		12310	15110×2250×1980		38700
XPZ2000	560	80	2000 × 2000 × 83	40	11.16	0.5-1.6	8800	10600×2900×2450	11	56500
	600	86			12.01		9310	12110×2900×2450		58000
	630	90			12.58		9640	12440×2900×2450		59000
	670	96			13.43		10150	12950×2900×2450		60500
	710	101			14.13		10570	13370×2900×2450		62000
	750	107			14.98		11070	13870×2900×2450		63300
	800	114			15.97		11660	14460×2900×2450		65200
	850	121			16.96		12250	15050×2900×2450		67000
	900	128			17.95		12840	15640×2900×2450		69000
	950	135			18.94		13420	16220×2900×2450		70600
	1000	142			19.92		14010	16810×2900×2450		72300
	1060	151			21.20		14770	17570×2900×2450		74500
	1120	159			22.33		15440	18240×2900×2450		76800
	1180	168			23.61		16200	19000×2900×2450		79000

隔膜(自动控制)压滤机系列

MEMBRANE (AUTOMATIC CONTROL) FILTER PRESS SERIES

1. XP(Z)G800/□-□-□
2. XP(Z)G900/□-□-□
3. XP(Z)G1000/□-□-□
4. XP(Z)G1250/□-□-□
5. XP(Z)G1500/□-□-□



技术特点 TECHNIQUE FEATURES

隔膜压滤机采用先进的过滤工艺，该机主要用于降低物料中的水分。

1. 隔膜滤板的挤压有气压榨和水压榨两种选择，压榨压力范围为0.5-1.5MPa;
2. 采用液压装置作为压紧、松开滤板的动力机构，并用电接点压力表自动保压，自动补压，可选用自动控制功能，只需控制电控柜按钮，即实现全部动作；配备安全装置，确保操作安全。

Membrane filter press adopts the most advanced filtration technique, it can greatly remove the moisture content from the feed material.

1. Air squeeze or water squeeze is available for squeeze of diaphragm plates, squeeze pressure ranges from 0.5-1.5 MPa.
2. The hydraulic device is used for pressing and releasing the chamber plates. The electrical contact pressure switch is available to maintain pressure. For automatic function the operators are only needed to touch the button on the switch cabinet. The press equipped with safety device to protect the workers from damage.

处理流程简介 HANDLE PROCEDURES

液压油缸前进→压紧滤板→进料→加压过滤→隔膜压榨泥饼→液压油缸后退→逐一打开滤板（自动式为自动拉板系统逐一打开滤板）→落料→料斗装置承装泥饼

oil hydraulic forward→module closing→feeding→pressurize→membrane filling by fluid→oil hydraulic backward→opening module one by one(the automatic types have auto plate shifting device to opening module one by one)→cake falling→cake collection device

性能参数 PERFORMANCE PARAMETER

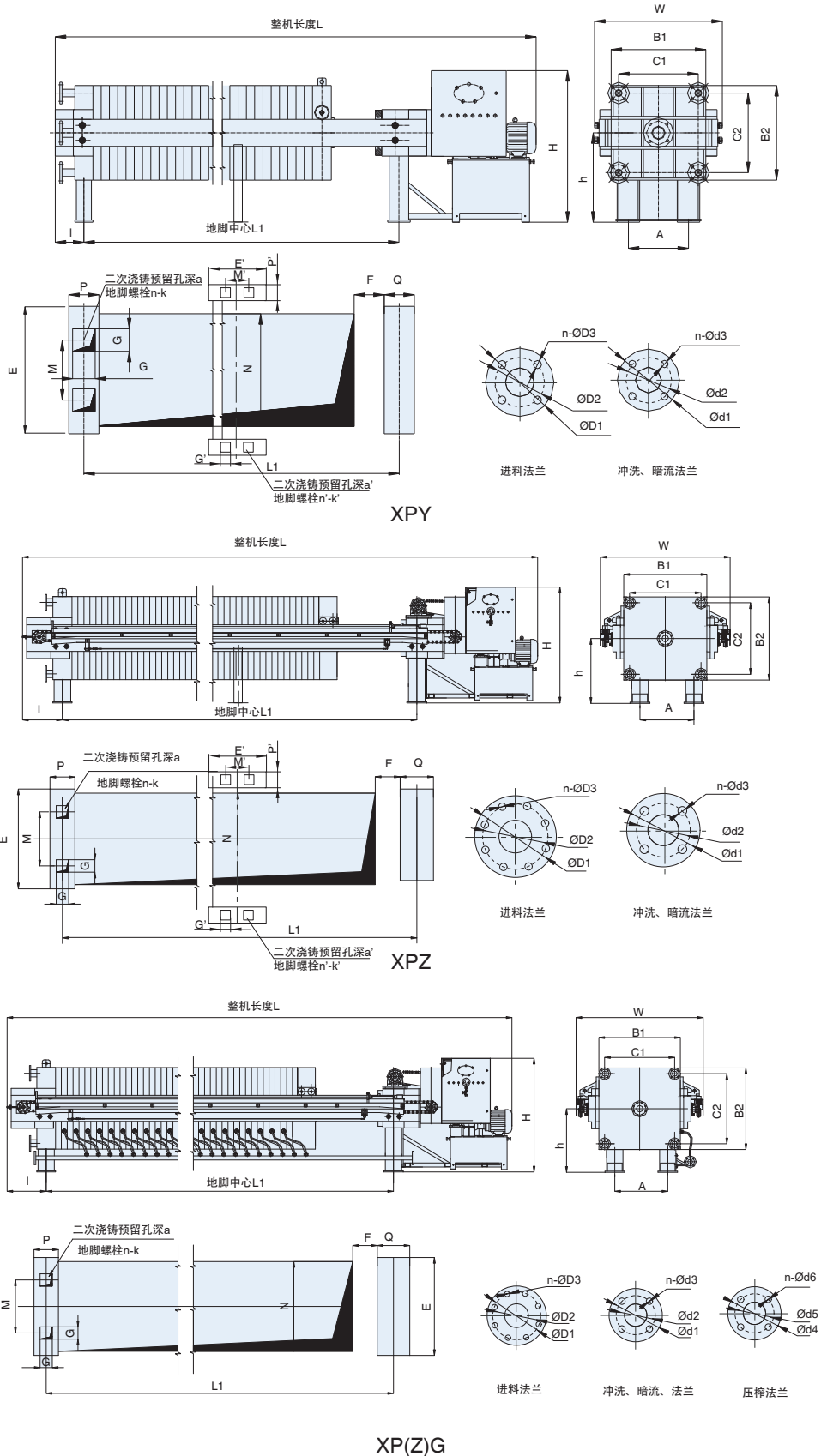
型号 Type	过滤面积 Filter area (m ²)	滤室数量 Chamber amounts	滤板规格 Plate size (mm)	滤饼厚度 Cake thickness (mm)	滤室容积 Chamber volume (m ³)	过滤压力 Filtration pressure (MPa)	地脚中心L1 Anchor hole pitch L1 (mm)	外形尺寸 (长×宽×高) Overall dimension (L×W×H) (mm)	电机功率 Motor power (kW)	整机质量 Total weight (kg)
XPG800	20	20	隔膜板 Membrane plate 800×800×64 厢式板 Box type plate 800×800×60	30	0.287	0.5-1.6	2510	3810×1230×1160	2.2	2700
	30	30			0.453		3140	4440×1230×1160		3060
	40	40			0.605		3770	5070×1230×1160		3350
	50	50			0.756		4400	5700×1230×1160		3660
	60	60			0.907		5030	6330×1230×1160		4040
	70	70			1.059		5600	6960×1230×1160		4330
	80	80			1.210		6290	7590×1230×1160		4670
XPG800	20	20	隔膜板 Membrane plate 800×800×70 厢式板 Box type plate 800×800×65	35	0.335	0.5-1.6	2630	3930×1230×1160	2.2	2760
	30	30			0.528		3310	4610×1230×1160		3160
	40	40			0.705		4000	5300×1230×1160		3470
	50	50			0.882		4680	5980×1230×1160		3840
	60	60			1.058		5370	6670×1230×1160		4280
	70	70			1.236		6050	7350×1230×1160		4630
	80	80			1.411		6740	8040×1230×1160		5030
XPZG800	20	20	隔膜板 Membrane plate 800×800×64 厢式板 Box type plate 800×800×60	30	0.287	0.5-1.6	2510	3810×1350×1160	2.2	2730
	30	30			0.453		3140	4440×1350×1160		3100
	40	40			0.605		3770	5070×1350×1160		3400
	50	50			0.756		4400	5700×1350×1160		3720
	60	60			0.907		5030	6330×1350×1160		4110
	70	70			1.059		5660	6960×1350×1160		4410
	80	80			1.210		6290	7590×1350×1160		4760
XPZG800	20	20	隔膜板 Membrane plate 800×800×70 厢式板 Box type plate 800×800×65	35	0.335	0.5-1.6	2630	3930×1350×1160	2.2	2790
	30	30			0.528		3310	4610×1350×1160		3200
	40	40			0.705		4000	5300×1350×1160		3520
	50	50			0.882		4680	5980×1350×1160		3900
	60	60			1.058		5370	6670×1350×1160		4350
	70	70			1.236		6050	7350×1350×1160		4710
	80	80			1.411		6740	8040×1350×1160		5120
XPG900	40	32	隔膜板 Membrane plate 900×900×72 厢式板 Box type plate 900×900×70	38	0.74	0.5-1.6	3570	4870×1360×1280	2.2	5500
	50	40			0.94		4140	5440×1360×1280		5800
	60	48			1.13		4720	6020×1360×1280		6100
	80	64			1.51		5870	7170×1360×1280		6700



性能参数 PERFORMANCE PARAMETER

型号 Type	过滤面积 Filter area (m ²)	滤室数量 Chamber amounts	滤板规格 Plate size (mm)	滤饼厚度 Cake thickness (mm)	滤室容积 Chamber volume (m ³)	过滤压力 Filtration pressure (MPa)	地脚中心L1 Anchor hole pitch L1 (mm)	外形尺寸 (长×宽×高) Overall dimension (L×W×H) (mm)	电机功率 Motor power (kW)	整机质量 Total weight (kg)
XPZG900	40	32	隔膜板 Membrane plate 900×900×72	38	0.74	0.5-1.6	3570	4870×1480×1280	2.2	5530
	50	40	厢式板 Box type plate 900×900×70		0.94		4140	5440×1480×1280		5840
	60	48			1.13		4720	6020×1480×1280		6150
	80	64			1.51		5870	7170×1480×1280		6760
XPG1000	50	32	隔膜板 Membrane plate 1000×1000×72	40	1.01	0.5-1.6	3700	5580×1460×1360	4	7200
	60	38	厢式板 Box type plate 1000×1000×70		1.19		4130	6010×1460×1360		7620
	70	44			1.38		4560	6440×1460×1360		8040
	80	50			1.56		4990	6870×1460×1360		8460
	90	56			1.75		5420	7300×1460×1360		8880
	100	62			1.94		5860	7740×1460×1360		9300
XPZG1000	50	32	隔膜板 Membrane plate 1000×1000×72	40	1.01	0.5-1.6	3700	5580×1560×1360	4	7250
	60	38	厢式板 Box type plate 1000×1000×70		1.19		4130	6010×1560×1360		7670
	70	44			1.38		4560	6440×1560×1360		8090
	80	50			1.56		4990	6870×1560×1360		8510
	90	56			1.75		5420	7300×1560×1360		8930
	100	62			1.94		5860	7740×1560×1360		9350
XPG1250	120	46	隔膜板 Membrane plate 1250×1250×78	40	2.38	0.5-1.6	4970	6970×1770×1620	5.5	10900
	150	58	厢式板 Box type plate 1250×1250×72		3.00		5880	7880×1770×1620		11620
	160	62			3.22		6190	8190×1770×1620		11960
	180	70			3.64		6800	8800×1770×1620		12640
	200	78			4.05		7400	9400×1770×1620		13300
	250	96			5.02		8770	10770×1770×1620		14800
XPZG1250	120	46	隔膜板 Membrane plate 1250×1250×78	40	2.38	0.5-1.6	4970	6970×1930×1620	5.5	12600
	150	58	厢式板 Box type plate 1250×1250×72		3.00		5880	7880×1930×1620		13620
	160	62			3.22		6190	8190×1930×1620		13960
	180	70			3.64		6800	8800×1930×1620		14640
	200	78			4.05		7400	9400×1930×1620		15320
	250	96			5.02		8770	10770×1930×1620		17020
XPG1500	300	78	隔膜板 Membrane plate 1500×1500×85	40	6.04	0.5-1.6	8300	11100×2150×1880	11	28450
	320	84	厢式板 Box type plate 1500×1500×80		6.51		8800	11600×2150×1880		29290
	340	88			6.82		9130	11930×2150×1880		29880
	350	90			6.98		9300	12100×2150×1880		30200
	380	98			7.60		9970	12770×2150×1880		30760
	400	104			8.07		10470	13270×2150×1880		32000
	450	116			9.02		11470	14270×2150×1880		33600
	500	128			9.96		12470	15270×2150×1880		35200
XPZG1500	300	78	隔膜板 Membrane plate 1500×1500×85	40	6.04	0.5-1.6	8300	11100×2400×1880	11	31450
	320	84	厢式板 Box type plate 1500×1500×80		6.51		8800	11600×2400×1880		32240
	340	88			6.82		9130	11930×2400×1880		32980
	350	90			6.98		9300	12100×2400×1880		33300
	380	98			7.60		9970	12770×2400×1880		34260
	400	104			8.07		10470	13270×2400×1880		34900
	450	116			9.02		11470	14270×2400×1880		36500
	500	128			9.96		12470	15270×2400×1880		38200
XPZG1500	300	78	隔膜板 Membrane plate 1500×1500×90	45	6.41	0.5-1.6	8490	11290×2150×1800	11	31650
	320	84	厢式板 Box type plate 1500×1500×80		6.90		9010	11810×2150×1800		32440
	340	88			7.23		9350	12150×2150×1800		33180
	350	90			7.40		9530	12330×2150×1800		33500
	380	98			8.07		10210	13010×2150×1800		34560
	400	104			8.57		10730	13530×2150×1800		35200
	450	116			9.57		10760	14560×2150×1800		36800
	500	128			10.56		12790	15590×2150×1800		38600

厢式压滤机尺寸图 FRAME FILTRATE PRESS DIMENSIONS DRAWING





厢式压滤机尺寸表 FRAME FILTRATE PRESS DIMENSIONS LIST

型号 Type	过滤面积 Filter area m ²	滤室容积 Chamber volume m ³	L	W	H	L1	B1	B2	C1	C2	A	h	l	ØD1	ØD2	n-ØD3	Ød1	Ød2	n-Ød3	E (E')	M (M')	N	P (P')	F	Q	G (G')	a (a')	n-k (n'-k')
XPY630	15	0.226	3030	960	1060	2170	700	700	533	533	400	630	190	Ø160	Ø125	4-Ø18	Ø145	Ø110	4-Ø18	920	400	920	200	200	200	150	300	2-M20×260
	20	0.297	3360			2500																						
	30	0.452	4090			3230																						
	40	0.595	4760			3900																						
XPY800	20	0.287	3500	1230	1160	2400	800	800	670	670	580	680	465	Ø200	Ø160	8-Ø18	Ø185	Ø145	4-Ø18	1000	580	1000	350	300	400	150	300	2-M20×280
	30	0.453	4110			3010																						
	40	0.605	4720			3620																						
	50	0.756	5330			4230																						
	60	0.907	5940			4840																						
	70	1.059	6550			5450																						
80	1.210	7160	6060																									
XPY900	40	0.60	4230	1360	1280	3130	900	900	780	780	580	730	360	Ø200	Ø160	8-Ø18	Ø185	Ø145	4-Ø18	1000	580	1100	300	300	400	150	300	2-M20×280
	50	0.75	4720			3620																						
	60	0.88	5150			4050																						
	80	1.19	6120			5020																						
XPY900	40	0.63	4400	1360	1280	3300	900	900	780	780	580	730	360	Ø200	Ø160	8-Ø18	Ø185	Ø145	4-Ø18	1000	580	1100	300	300	400	150	300	2-M20×280
	50	0.80	4930			3830																						
	60	0.94	5390			4290																						
	80	1.27	6440			5340																						
XPY1000	50	0.75	5080	1460	1360	3200	1000	1000	860	860	650	780	465	Ø200	Ø160	8-Ø18	Ø185	Ø145	4-Ø18	1200	650	1200	300	300	400	150	300	2-M20×280
	60	0.90	5450			3570																						
	80	1.19	6180			4300																						
	100	1.48	6910			5030																						
XPY1000	50	0.897	5250	1460	1360	3370	1000	1000	860	860	650	780	465	Ø200	Ø160	8-Ø18	Ø185	Ø145	4-Ø18	1200	650	1200	300	300	400	150	300	2-M20×280
	60	1.09	5640			3760																						
	80	1.40	6440			4560																						
	100	1.74	7230			5350																						
XPY1250	120	1.79	6500	1770	1620	4500	1250	1250	1100	1100	840	1030	465	Ø220	Ø180	8-Ø18	Ø200	Ø160	8-Ø18	1350	840	1450	350	400	500	150	350	2-M27×350
	150	2.26	7290			5290																						
	180	2.70	8020			6020																						
	200	3.02	8550			6550																						
	250	3.73	9740			7740																						
XPY1250	120	1.90	6500	1770	1620	4500	1250	1250	1100	1100	840	1030	465	Ø220	Ø180	8-Ø18	Ø200	Ø160	8-Ø18	1350	840	1450	350	400	500	150	350	2-M27×350
	150	2.41	7290			5290																						
	180	2.88	8020			6020																						
	200	3.22	8550			6550																						
	250	3.98	9740			7740																						
XPY1250	120	2.08	6740	1770	1620	4740	1250	1250	1100	1100	840	1030	465	Ø220	Ø180	8-Ø18	Ø200	Ø160	8-Ø18	1350	840	1450	350	400	500	150	350	2-M27×350
	150	2.64	7590			5590																						
	180	3.06	8370			6370																						
	200	3.52	8940			6940																						
XPY1250	120	2.38	6740	1770	1620	4740	1250	1250	1100	1100	840	1030	465	Ø220	Ø180	8-Ø18	Ø200	Ø160	8-Ø18	1350	840	1450	350	400	500	150	350	2-M27×350
	150	3.02	7590			5590																						
	180	3.60	8370			6370																						
	200	4.02	8940			6940																						
XPY1500	250	4.97	10220	2150	1880	8220	1500	1500	1330	1330	900	1030	540	Ø340	Ø295	12-Ø22	Ø220	Ø180	8-Ø18	1800	900	1700	400	-	600	150	500	2-M30×400
	300	4.76	10040			7240																						
	320	5.14	10460			7660																						
	340	5.45	10820			8020																						
	350	5.58	10960			8160																						
	380	6.08	11530			8730																						
	400	6.39	11880			9080																						
450	7.21	12810	10010																									
500	7.96	13660	10860																									



厢式压滤机尺寸表 FRAME FILTRATE PRESS DIMENSIONS LIST

型号 Type	过滤 面积 Filter area m ²	滤室 容积 Chamber volume m ³	L	W	H	L1	B1	B2	C1	C2	A	h	l	ØD1	ØD2	n-ØD3	Ød1	Ød2	n-Ød3	E (E')	M (M')	N	P (P')	F	Q	G (G')	a (a')	n-k (n'-k')	
XPY1500	300	5.22	10430	2150	1800	7630	1500	1500	1330	1330	900	1030	540	Ø340	Ø295	12-Ø22	Ø220	Ø180	8-Ø18	1800	900	1700	400	-	600	150	500	2-M30×400	
	320	5.62	10880			8080																							
	340	5.97	11260			8460																							
	350	6.11	11420			8620																							
	380	6.65	12020			9220																							
	400	7.00	12400			9600																							
	450	7.89	13390			10590																							
500	8.72	14300	11500																										
XPY1500	300	5.96	10820	2150	1880	8020	1500	1500	1330	1330	900	1030	540	Ø340	Ø295	12-Ø22	Ø220	Ø180	8-Ø18	1800	900	1700	400	-	600	150	500	2-M30×400	
	320	6.42	11300			8500																							
	340	6.82	11710			8910																							
	350	6.98	11870			9070																							
	380	7.60	12520			9720																							
	400	8.00	12920			10120																							
	450	9.02	13980			11180																							
500	9.96	14950	12150																										
XPY1600	300	4.76	9660	2250	1980	6860	1600	1600	1420	1420	1000	1080	570	Ø340	Ø295	12-Ø22	Ø220	Ø180	8-Ø18	2000 (400)	1000 (200)	1800	400 (300)	500	600	150 (100)	500 (400)	2-M27×500 (4-M16×300)	
	350	5.60	10540			7740																							
	400	6.38	11340			8540																							
	420	6.73	11700			8900																							
	450	7.24	12220			9420																							
	500	7.99	13020			10220																							
	550	8.76	13820			11020																							
600	9.60	14700	11900																										
XPY1600	300	5.21	9870	2250	1980	7070	1600	1600	1420	1420	1000	1080	570	Ø340	Ø295	12-Ø22	Ø220	Ø180	8-Ø18	2000 (400)	1000 (200)	1800	400 (300)	500	600	150 (100)	500 (400)	2-M27×500 (4-M16×300)	
	350	6.13	10780			7980																							
	400	6.98	11620			8820																							
	420	7.36	12000			9200																							
	450	7.92	12530			9730																							
	500	8.74	13370			10570																							
	550	9.58	14200			11400																							
600	10.50	15110	12300																										
XPY1500 × 2000	400	6.99	10700	2150	2400	7900	1500	2000	1300	1800	900	1280	580	Ø340	Ø295	12-Ø22	Ø220	Ø180	8-Ø18	1800 (500)	900 (-)	1700	400 (300)	400	600	150 (100)	-	-	(4-M16×200)
	450	7.80	11460			8660																							
	500	8.71	12150			9350																							
	550	9.63	12910			10110																							
	600	10.53	13670			10870																							
	700	12.25	15110			12310																							
	750	13.13	15870			13070																							
800	13.98	16560	13760																										
XPY1500 × 2000	400	7.99	11100	2150	2400	8300	1500	2000	1300	1800	900	1280	580	Ø340	Ø295	12-Ø22	Ø220	Ø180	8-Ø18	1800 (500)	900 (-)	1700	400 (300)	400	600	150 (100)	-	-	(4-M16×200)
	450	8.92	11910			9110																							
	500	9.96	12640			9840																							
	550	11.00	13450			10650																							
	600	12.03	14260			11460																							
	700	14.00	15800			13000																							
	750	15.00	16610			13810																							
800	15.98	17340	14540																										
XPZ800	20	0.287	3500	1350	1160	2400	800	800	670	670	580	680	430	Ø200	Ø160	8-Ø18	Ø185	Ø145	4-Ø18	1000	580	1000	350	300	400	150	300	2-M20×280	
	30	0.453	4110			3010																							
	40	0.605	4720			3620																							
	50	0.756	5330			4230																							
	60	0.907	5940			4840																							
	70	1.059	6550			5450																							
	80	1.210	7160			6060																							



厢式压滤机尺寸表 FRAME FILTRATE PRESS DIMENSIONS LIST

型号 Type	过滤 面积 Filter area m ²	滤室 容积 chamber volume m ³	L	W	H	L1	B1	B2	C1	C2	A	h	l	ØD1	ØD2	n-ØD3	Ød1	Ød2	n-Ød3	E (E')	M (M')	N	P (P')	F	Q	G (G')	a (a')	n-k (n'-k')
XPZ900	40	0.59	4230	1480	1280	3130	900	900	780	780	580	730	360	Ø200	Ø160	8-Ø18	Ø185	Ø145	4-Ø18	1000	580	1100	300	300	400	150	300	2-M20×280
	50	0.75	4720			3620																						
	60	0.88	5150			4050																						
	80	1.19	6120			5020																						
XPZ900	40	0.63	4400	1480	1280	3300	900	900	780	780	580	730	360	Ø200	Ø160	8-Ø18	Ø185	Ø145	4-Ø18	1000	580	1100	300	300	400	150	300	2-M20×280
	50	0.80	4930			3830																						
	60	0.94	5390			4290																						
	80	1.27	6440			5340																						
XPZ1000	60	0.90	5450	1560	1360	3570	1000	1000	860	860	650	780	515	Ø200	Ø160	8-Ø18	Ø185	Ø145	4-Ø18	1200	650	1200	300	300	400	150	300	2-M20×280
	80	1.19	6180			4300																						
	100	1.48	6910			5030																						
	120	1.80	7710			5830																						
XPZ1000	60	1.09	5640	1560	1360	3760	1000	1000	860	860	650	780	515	Ø200	Ø160	8-Ø18	Ø185	Ø145	4-Ø18	1200	650	1200	300	300	400	150	300	2-M20×280
	80	1.40	6440			4560																						
	100	1.74	7230			5350																						
	120	2.10	8090			6210																						
XPZ1250	120	1.90	6500	1770	1620	4500	1250	1250	1100	1100	840	1030	515	Ø220	Ø180	8-Ø18	Ø200	Ø160	8-Ø18	1350	840	1450	350	400	500	150	350	2-M27×350
	150	2.41	7290			5290																						
	180	2.88	8020			6020																						
	200	3.22	8550			6550																						
	220	3.51	9010			7010																						
	250	3.98	9740			7740																						
XPZ1250	120	2.08	6740	1770	1620	4740	1250	1250	1100	1100	840	1030	515	Ø220	Ø180	8-Ø18	Ø200	Ø160	8-Ø18	1350	840	1450	350	400	500	150	350	2-M27×350
	150	2.64	7590			5590																						
	180	3.15	8370			6370																						
	200	3.52	8940			6940																						
	250	4.35	10220			8220																						
XPZ1500	300	4.76	10040	2400	1800	7240	1500	1500	1100	1100	840	1030	515	Ø220	Ø180	8-Ø18	Ø200	Ø160	8-Ø18	1350	840	1450	350	400	500	150	350	2-M27×350
	320	5.14	10460			7660																						
	340	5.45	10820			8020																						
	350	5.58	10960			8160																						
	380	6.08	11530			8730																						
	400	6.39	11880			9080																						
	450	7.21	12810			10010																						
	500	7.96	13660			10860																						
XPZ1500	300	5.22	10430	2400	1800	7630	1500	1500	1330	1330	900	1030	540	Ø340	Ø295	12-Ø22	Ø220	Ø180	8-Ø18	1800	900	1700	400	-	600	150	500	2-M30×400
	320	5.62	10880			8080																						
	340	5.97	11260			8460																						
	350	6.11	11420			8620																						
	380	6.65	12020			9220																						
	400	7.00	12400			9600																						
	450	7.89	13390			10590																						
	500	8.72	14300			11500																						
XPZ1500	300	5.96	10040	2400	1800	8020	1500	1500	1330	1330	900	1030	540	Ø340	Ø295	12-Ø22	Ø220	Ø180	8-Ø18	1800	900	1700	400	-	600	150	500	2-M30×400
	320	6.43	10460			8500																						
	340	6.82	10820			8910																						
	350	6.98	10960			9070																						
	380	7.60	11530			9720																						
	400	8.00	11880			10120																						
	450	9.02	12810			11180																						
	500	9.96	13660			12150																						
XPZ1600	300	4.76	9660	2500	1980	6860	1600	1600	1420	1420	1000	1080	570	Ø340	Ø295	12-Ø22	Ø220	Ø180	8-Ø18	2000 (400)	1000 (200)	1800	400 (300)	500	600	150 (100)	500 (400)	2-M27×300 (4-M16×300)
	350	5.60	10540			7740																						
	400	6.38	11340			8540																						
	420	6.73	11700			8900																						
	450	7.24	12220			9420																						
	500	7.99	13020			10220																						
	550	8.76	13820			11020																						
	600	9.60	14700			11900																						



厢式压滤机尺寸表 FRAME FILTRATE PRESS DIMENSIONS LIST

型号 Type	过滤面积 Filter area m ²	滤室容积 Chamber volume m ³	L	W	H	L1	B1	B2	C1	C2	A	h	l	ØD1	ØD2	n-ØD3	Ød1	Ød2	n-Ød3	E (E')	M (M')	N	P (P')	F	Q	G (G')	a (a')	n-k (n'-k')
XPZ1600	300	5.21	9870	2250	1980	7070	1600	1600	1420	1420	1000	1080	570	Ø340	Ø295	12-Ø22	Ø220	Ø180	8-Ø18	2000 (400)	1000 (200)	1800	400 (300)	500	600	150 (100)	500 (400)	2-M27×500 (4-M16×300)
	350	6.13	10780			7980																						
	400	6.98	11620			8820																						
	420	7.36	12000			9200																						
	450	7.92	12530			9730																						
	500	8.74	13370			10570																						
	550	9.58	14200			11400																						
600	10.50	15110	12310																									
XPZ2000	560	11.16	10600	2900	2450	8800	2000	2000	1800	1800	1300	1280	540	Ø340	Ø295	12-Ø22	Ø200	Ø180	8-Ø18	2200 (500)	1300 (200)	2200	500 (300)	600	500	180 (100)	500 (500)	2-M30×400 (4-M16×300)
	600	12.01	12110			9310																						
	630	12.58	12440			9640																						
	670	13.43	12950			10150																						
	710	14.13	13370			10570																						
	750	14.98	13870			11070																						
	800	15.97	14460			11660																						
	850	16.96	15050			12250																						
	900	17.95	15640			12840																						
	950	18.94	16220			13420																						
	1000	19.92	16810			14010																						
	1060	21.20	17570			14770																						
	1120	22.33	18240			15440																						
1180	23.61	19000	16200																									

厢式隔膜压滤机尺寸表 MEMBRANE FRAME FILTRATE PRESS DIMENSIONS LIST

型号 Type	过滤面积 Filter area m ²	滤室容积 Chamber volume m ³	L	W	H	L1	B1	B2	C1	C2	A	h	l	ØD1	ØD2	n-ØD3	Ød1	Ød2	n-Ød3	Ød4	Ød5	n-Ød6	E	M	N	P	F	Q	G	a	n-k
XPG800	20	0.287	3810	1230	1160	2510	800	800	670	670	580	680	465	Ø220	Ø160	8-Ø18	Ø185	Ø145	4-Ø18	Ø165	Ø125	4-Ø18	1000	580	1000	350	300	400	150	300	2-M20×280
	30	0.453	4440			3140																									
	40	0.605	5070			3770																									
	50	0.756	5700			4400																									
	60	0.907	6330			5030																									
	70	1.059	6960			5660																									
	80	1.210	7590			6290																									
XPG800	20	0.335	3930	1230	1160	2630	800	800	670	670	580	680	465	Ø220	Ø160	8-Ø18	Ø185	Ø145	4-Ø18	Ø165	Ø125	4-Ø18	1000	580	1000	350	300	400	150	300	2-M20×280
	30	0.528	4610			3310																									
	40	0.705	5300			4000																									
	50	0.882	5980			4680																									
	60	1.058	6670			5370																									
	70	1.236	7350			6050																									
	80	1.411	8040			6740																									
XPZG800	20	0.287	3810	1350	1160	2510	800	800	670	670	580	680	430	Ø200	Ø160	8-Ø18	Ø185	Ø145	4-Ø18	Ø165	Ø125	4-Ø18	1000	580	1000	350	300	400	150	300	2-M20×280
	30	0.453	4440			3140																									
	40	0.605	5070			3770																									
	50	0.756	5700			4400																									
	60	0.907	6330			5030																									
	70	1.059	6960			5660																									
	80	1.210	7590			6290																									
XPZG800	20	0.335	3930	1350	1160	2630	800	800	670	670	580	680	430	Ø200	Ø160	8-Ø18	Ø185	Ø145	4-Ø18	Ø165	Ø125	4-Ø18	1000	580	1000	350	300	400	150	300	2-M20×280
	30	0.528	4610			3310																									
	40	0.705	5300			4000																									
	50	0.882	5980			4680																									
	60	1.058	6670			5370																									
	70	1.236	7350			6050																									
	80	1.411	8040			6740																									



厢式隔膜压滤机尺寸表 MEMBRANE FRAME FILTRATE PRESS DIMENSIONS LIST

型号 Type	过滤 面积 Filter area m ²	滤室 容积 Chamber volume m ³	L	W	H	L1	B1	B2	C1	C2	A	h	l	ØD1	ØD2	n-ØD3	Ød1	Ød2	n-Ød3	Ød4	Ød5	n-Ød6	E	M	N	P	F	Q	G	a	n-k
XPG900	40	0.74	4870	1360	1280	3570	900	900	780	780	580	730	360	Ø200	Ø160	8-Ø18	Ø185	Ø145	4-Ø18	Ø165	Ø125	4-Ø18	1000	580	1100	300	300	400	150	300	2-M20×280
	50	0.94	5440			4140																									
	60	1.13	6020			4720																									
	80	1.51	7170			5870																									
XPZG900	40	0.74	4870	1480	1280	3570	900	900	780	780	580	730	360	Ø200	Ø160	8-Ø18	Ø185	Ø145	4-Ø18	Ø165	Ø125	4-Ø18	1000	580	1100	300	300	400	150	300	2-M20×280
	50	0.94	5440			4140																									
	60	1.13	6020			4720																									
	80	1.51	7170			5870																									
XPG1000	50	1.01	5580	1460	1360	3700	1000	1000	860	860	650	780	465	Ø200	Ø160	8-Ø18	Ø185	Ø145	4-Ø18	Ø165	Ø125	4-Ø18	1200	650	1200	300	300	400	150	300	2-M20×280
	60	1.19	6010			4130																									
	70	1.38	6440			4560																									
	80	1.56	6870			4990																									
	90	1.75	7300			5420																									
	100	1.94	7740			5860																									
XPZG1000	50	1.01	5580	1560	1360	3700	1000	1000	860	860	650	780	515	Ø200	Ø160	8-Ø18	Ø185	Ø145	4-Ø18	Ø165	Ø125	4-Ø18	1200	650	1200	300	300	400	150	300	2-M20×280
	60	1.19	6010			4130																									
	70	1.38	6440			4560																									
	80	1.56	6870			4990																									
	90	1.75	7300			5420																									
	100	1.94	7740			5860																									
XPG1250	120	2.38	6970	1770	1620	4970	1250	1250	1100	1100	840	1030	465	Ø220	Ø180	8-Ø18	Ø200	Ø160	8-Ø18	Ø165	Ø125	4-Ø18	1350	840	1450	350	400	500	150	350	2-M27×350
	150	3.00	7880			5880																									
	160	3.22	8190			6190																									
	180	3.64	8800			6800																									
	200	4.05	9400			7400																									
	250	5.02	10770			8770																									
XPZG1250	120	2.38	6970	1930	1620	4970	1250	1250	1100	1100	840	1030	515	Ø220	Ø180	8-Ø18	Ø200	Ø160	8-Ø18	Ø165	Ø125	4-Ø18	1350	840	1450	350	400	500	150	350	2-M27×350
	150	3.00	7880			5880																									
	160	3.22	8190			6190																									
	180	3.64	8800			6800																									
	200	4.05	9400			7400																									
	250	5.02	10770			8770																									
XPG1500	300	6.04	11100	2150	1880	8300	1500	1500	1330	1330	900	1030	540	Ø340	Ø295	12-Ø22	Ø220	Ø180	8-Ø18	Ø185	Ø145	4-Ø18	1800	900	1700	400	-	600	150	500	2-M30×400
	320	6.51	11600			8800																									
	340	6.82	11930			9130																									
	350	6.98	12100			9300																									
	380	7.60	12770			9970																									
	400	8.07	13270			10470																									
	450	9.02	14270			11470																									
XPZG1500	300	6.04	11100	2400	1880	8300	1500	1500	1330	1330	900	1030	540	Ø340	Ø295	12-Ø22	Ø220	Ø180	8-Ø18	Ø185	Ø145	4-Ø18	1800	900	1700	400	-	600	150	500	2-M30×400
	320	6.51	11600			8800																									
	340	6.82	11930			9130																									
	350	6.98	12100			9300																									
	380	7.60	12770			9970																									
	400	8.07	13270			10470																									
	450	9.02	14270			11470																									
XPZG1500	300	6.41	11290	2150	1800	8490	1500	1500	1330	1330	900	1030	540	Ø340	Ø295	12-Ø22	Ø220	Ø180	8-Ø18	Ø185	Ø145	4-Ø18	1800	900	1700	400	-	600	150	500	2-M30×400
	320	6.90	11810			9010																									
	340	7.23	12150			9350																									
	350	7.40	12330			9530																									
	380	8.07	13010			10210																									
	400	8.57	13530			10730																									
	450	9.57	14560			11760																									
500	10.56	11590	12790																												



如蒙洽询请指示下列各项：

客户：_____ 承办人员：_____ 电话：_____

工程名称：_____ 工程地点：_____

订购日期：_____年 _____月 _____日 订购机型：_____ 订购数量：_____台

*一、 交流电源：_____V _____Hz _____Phase _____kW

*二、 当地大气环境：夏季_____℃， 冬季_____℃

三、 设备吊装方式：叉车+吊车 叉车+吊卡 其它_____

四、 设备安装高度：一楼平面安装 二楼楼板安装 其它_____

*五、 设备安装位置：标准室内安装 遮雨棚式室外安装 其它_____

六、 污水项目：

*1、类 别：_____

2、产生量：_____m³/day

3、处理时间：_____Hrs/day

*4、处理方式：生物处理 化学处理 生物+化学处理 其它_____

七、 污泥项目：

*1、污泥产生量：_____m³/day

*2、固形物浓度：_____%

*3、操作时间：_____Hrs/day

*4、PH 值：_____

5、腐蚀性成分含量：_____

6、温 度：_____℃

7、油脂含量：无 有含油量(%)_____

8、来源位置：污泥槽 浓缩槽 沉淀槽 浮除槽 其它_____

9、输送方式：螺杆泵 气动隔膜泵 其它_____

10、调理方式：添加一种絮凝剂 添加二种絮凝剂 添加混凝剂与絮凝剂

11、污泥槽搅拌方式：无 搅拌机 搅拌泵 粗气泡散气盘

其它 _____

八、 压滤机系统配置：

1、外观颜色：标准型 其它 _____

*2、滤板压紧方式：手动 机械 液压

*3、滤板形式：厢式滤板 隔膜滤板

4、滤板规格：过滤面积 _____m² 滤板尺寸 _____mm

*5、滤液排放方式：明流 暗流

*6、接液方式：单侧翻板 双侧翻板 其它 _____

*7、自动拉板装置：不需要 需要

(液压式才可选配此功能)

8、其他配置要求：_____

九、 零件备品：

暂无需要 需要 _____

十、 其它补充说明：（可另附页）

注：1、以上表格请尽可能完整填写。

2、项目前加注“*”者，请务必填写。